

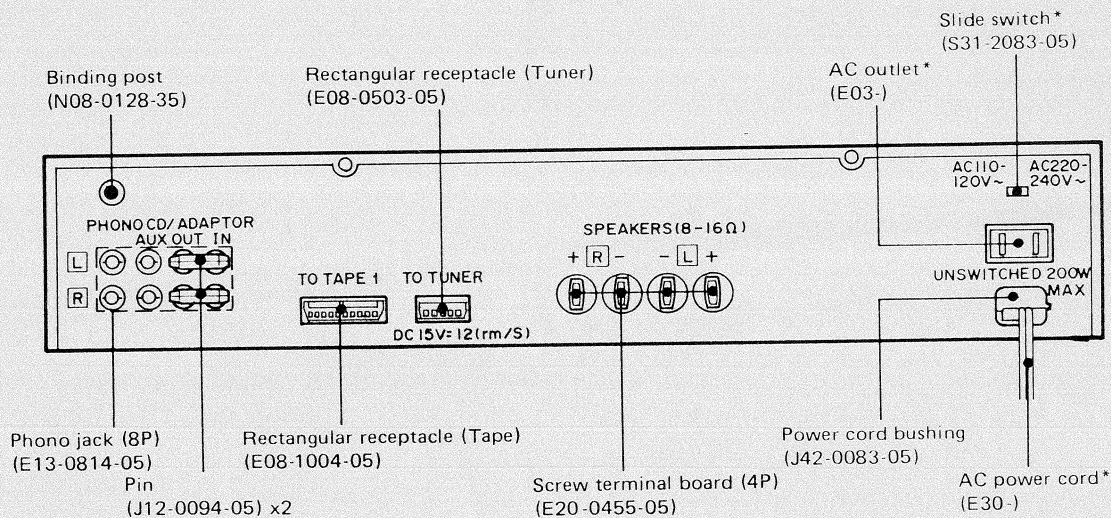
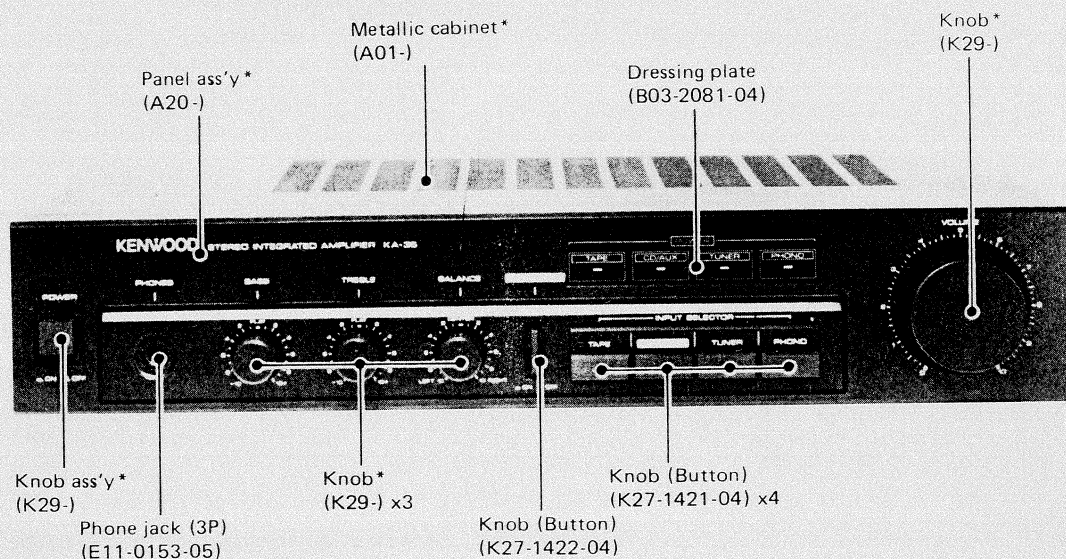
STEREO INTEGRATED AMPLIFIER

KA-35

SERVICE MANUAL

KENWOOD

©1986-3/87-2 PRINTED IN JAPAN
B51-1927-00 (O) 100



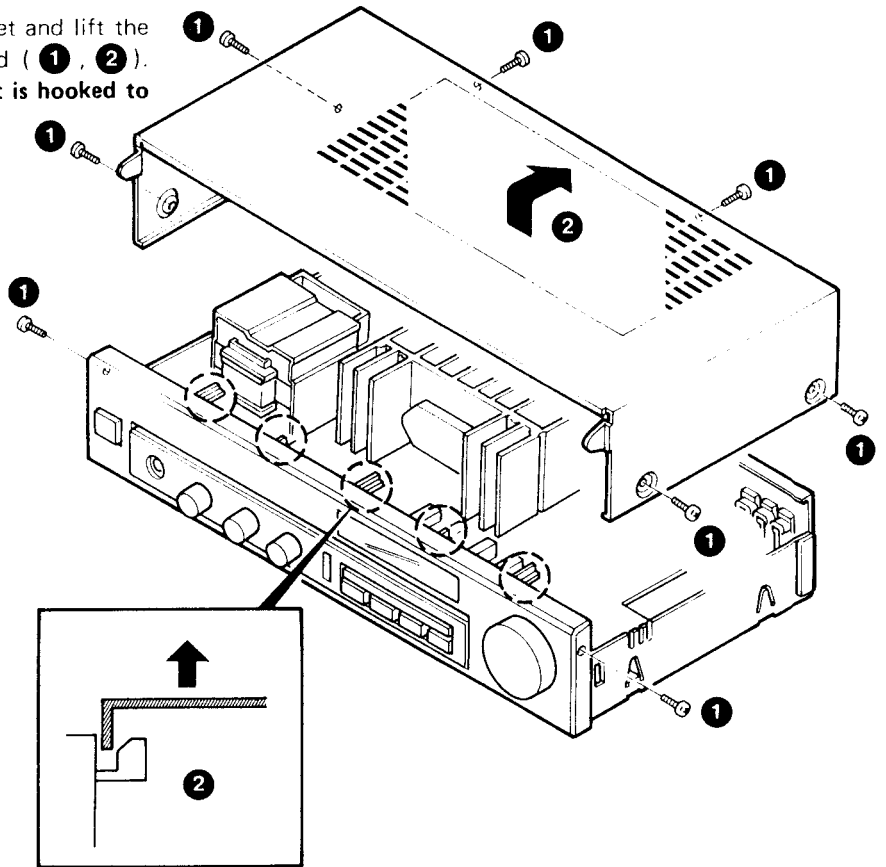
Note : When doing service of KT-35, KT-35L, or KX-35W be sure to have the customer bring the KA-35 or use the DC power supply.

* Refer to parts list on page 6.

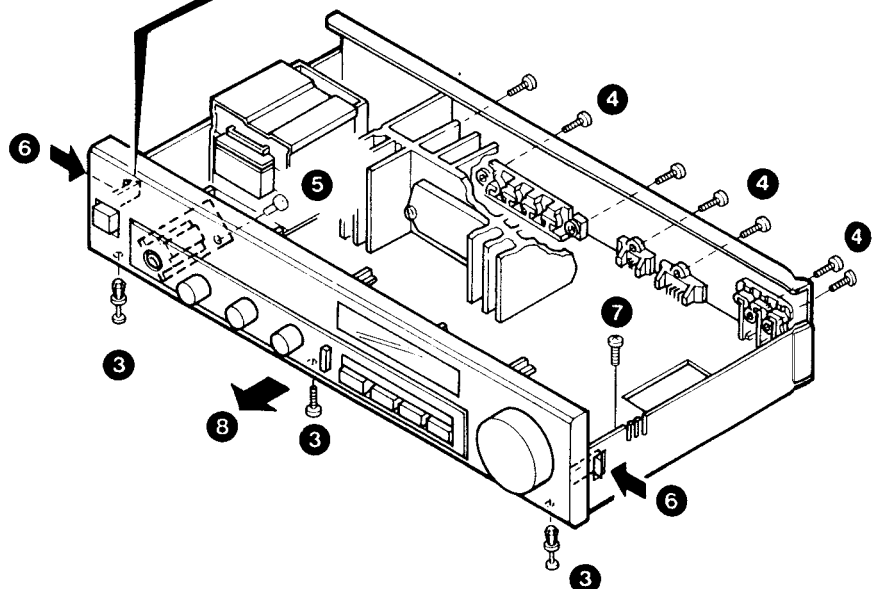
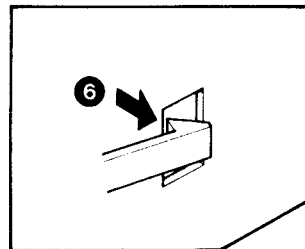
DISASSEMBLY FOR REPAIR

DISASSEMBLY FOR REPAIR

1. Remove 8 screws from the metallic cabinet and lift the metallic cabinet up and slide it rearward (1 , 2).
(Note) Be aware that the metallic cabinet is hooked to the projections on the panel.

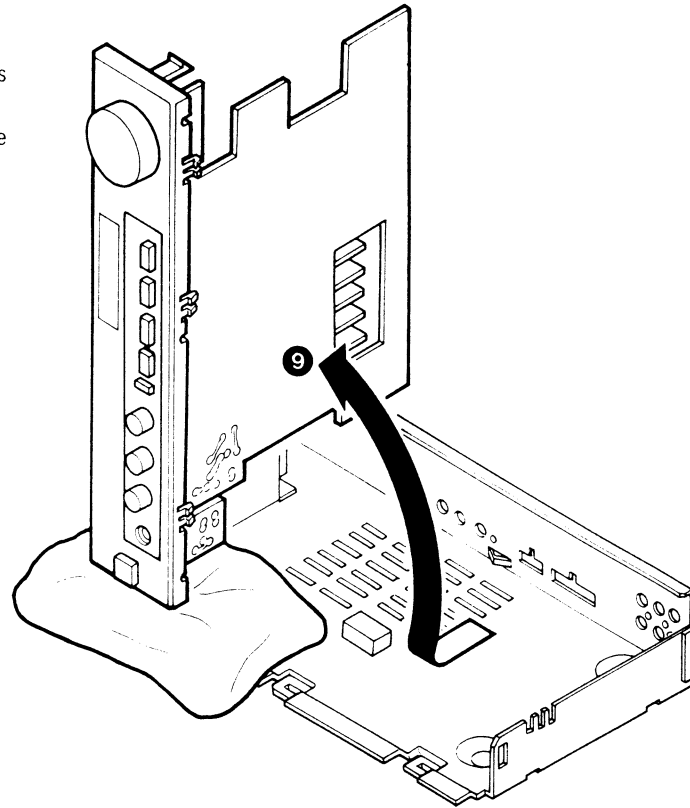


2. Remove 1 screw and two push rivets at the bottom of the panel (3) and 7 screws at the rear panel (4).
3. Remove 1 screw retaining the phone jack pcb (5).
4. Push the pawls at both sides of the panel and release from the hole (6).
5. Remove 1 screw at the pcb (7).
6. The panel with pc boards attached, can be pulled forward (8).

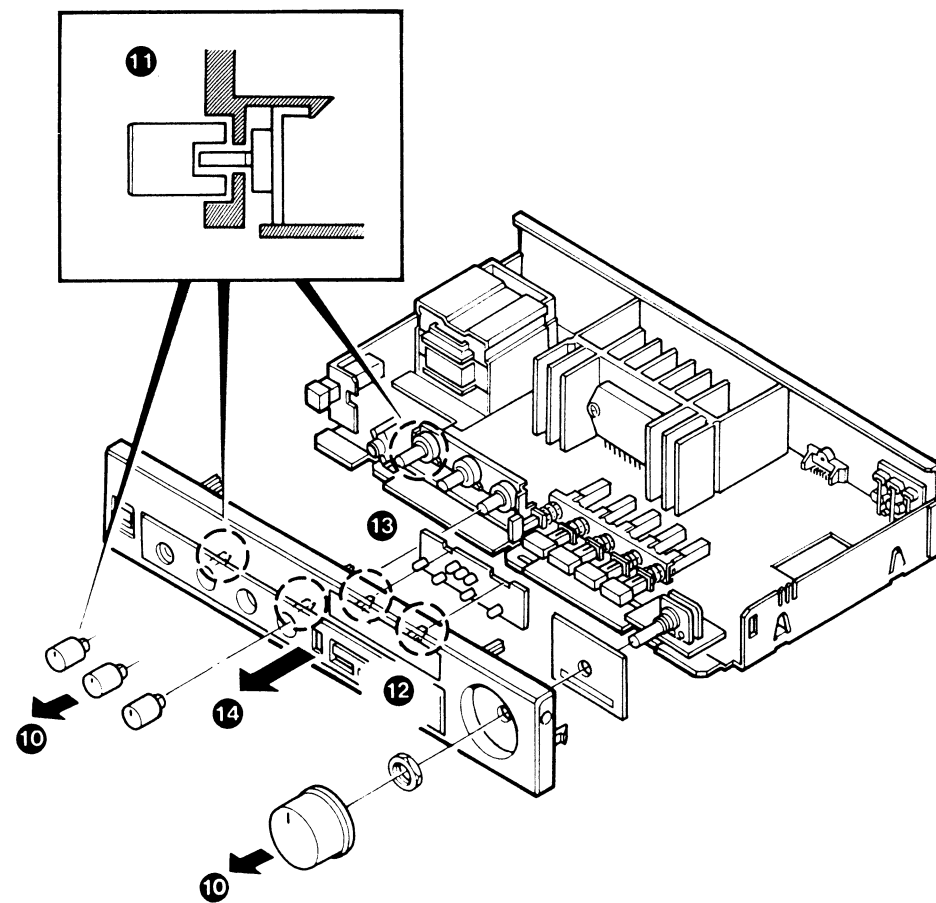


DISASSEMBLY FOR REPAIR

- Place a cloth, or something equivalent to avoid damages to the side of the panel.
- Turn the panel to the upright position and place the pc board on the rear panel as shown (9).

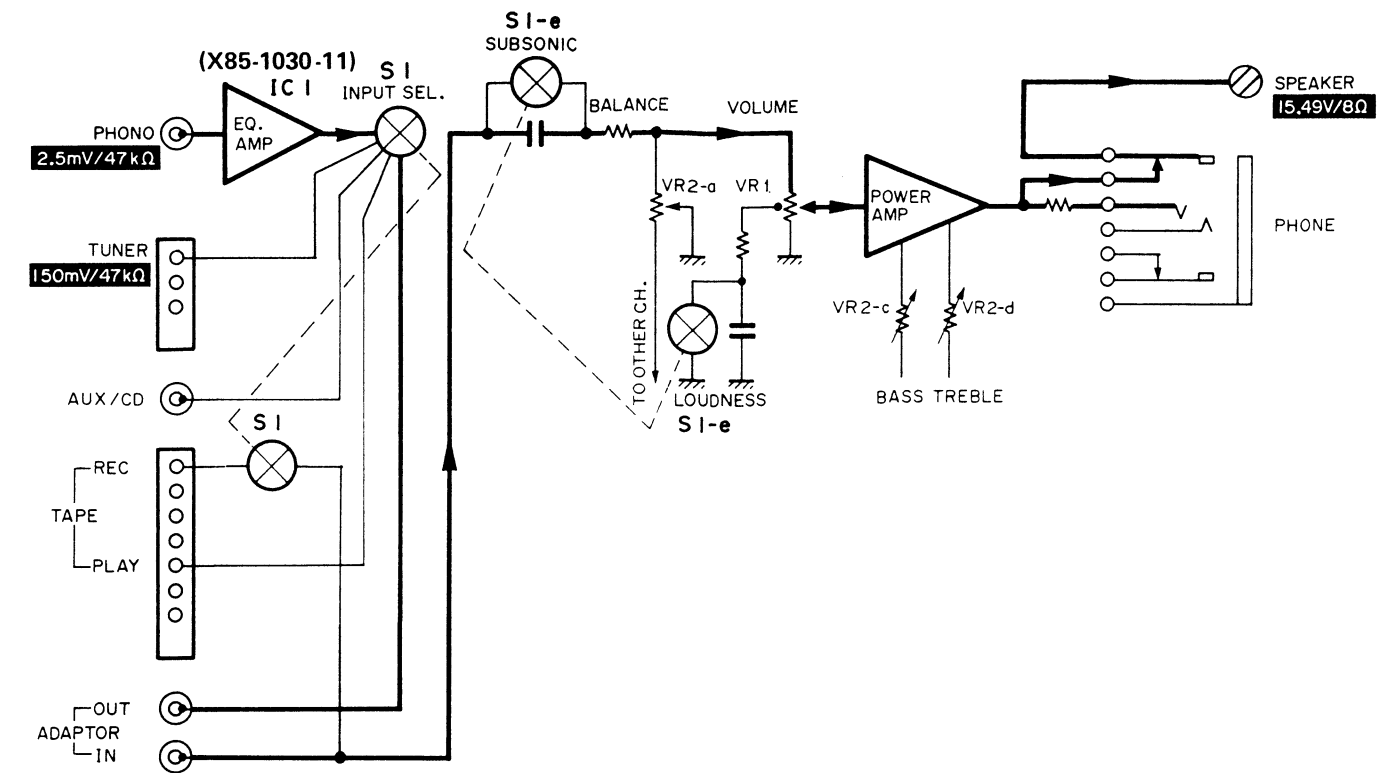


- Pull off BASS, TREBLE, BALANCE and VOLUME knobs (10).
- Remove the hexagonal nut from the VOLUME potentiometer (12) and release the hook from the LED pc board (13).
- Pull the panel forward (14).



BLOCK LEVEL DIAGRAM/CIRCUIT DESCRIPTION

BLOCK LEVEL DIAGRAM



CIRCUIT DESCRIPTION

Description of components

AUDIO (X09-2291-01)

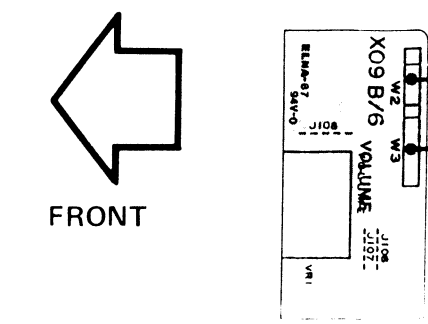
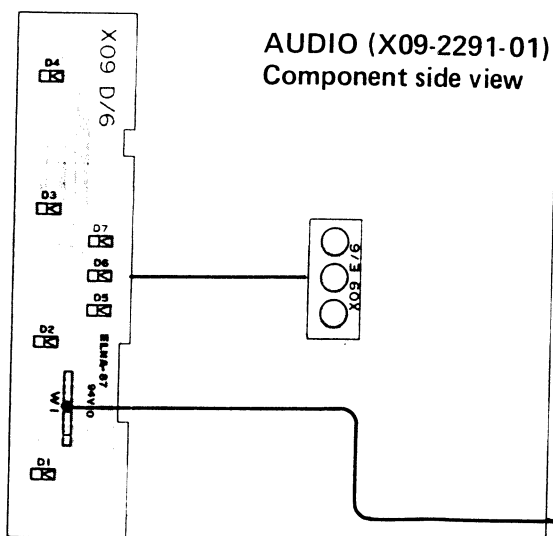
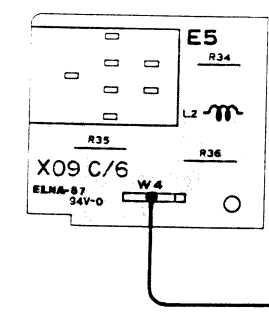
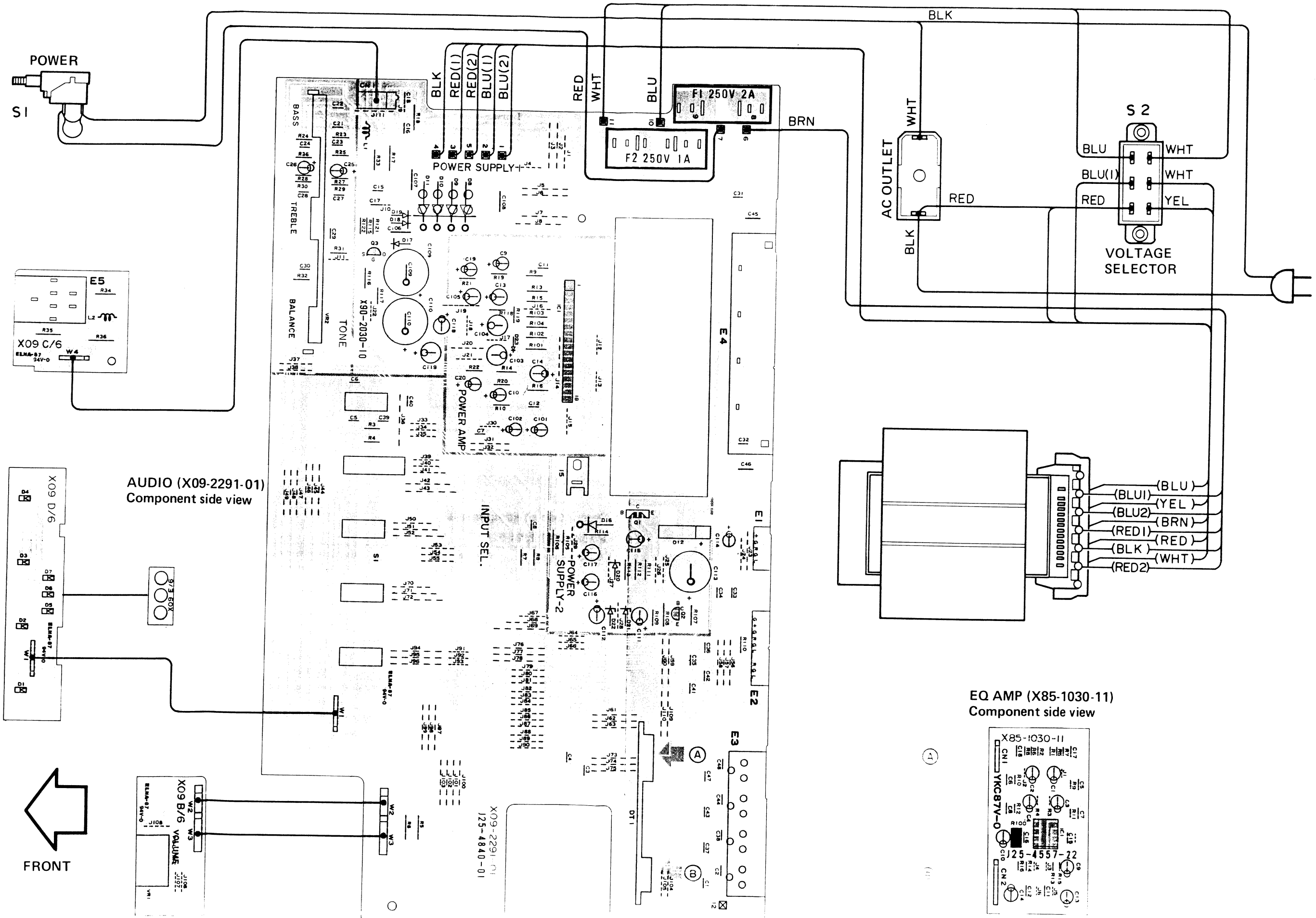
Component	Part No.	Application/function	Operation/condition/compatibility
IC1	STK4141/2*1 or STK4151/2	Power amplifier	
Q1	2SD1266(Q,P)	AVR	Compatible with 2SC2167 or 2SD330. (Required insulation plate and insulating bushing when attaching.)
Q2	2SC945(A),(Q,P)	Discharge EQ power supply when Power OFF	Compatible with 2SC2320(E,F).
Q3	2SK246(Y)	Muting when Power ON/OFF	
D1~D7	B30-0431-05	Various kinds display	
D8~D11	GP20DL	Rectifier	
D12	1B4B41	Rectifier for external power supply	
D16	GP10D-5007L	Rectifier for LEDs	Compatible with DSM1A1 or W06B.
D17~D19	SDM1A1	Muting control when Power ON/OFF	
D20	RD16ES(B2) or HZS16N(B2)	AVR for external power supply	Compatible with RD16E(B2), RD16J(B2), RD16JS(B2).
D21,D22	RD15ES(B) or HZS15N(B)	EQ AVR	Compatible with RD15E(B), RD15J(B), RD15JS(B).
D23	1SS131 or 1SS178	Muting control when power ON/OFF	Compatible with 1S2076A.

EQ AMP (X85-1030-11)

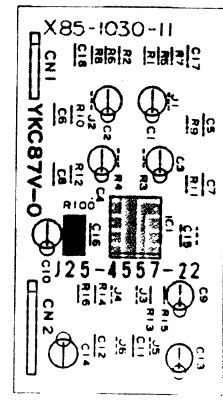
Component	Part No.	Application/function	Operation/condition/compatibility
IC1	AN6556 or M5218P	EQ Amplifier	For Phono.

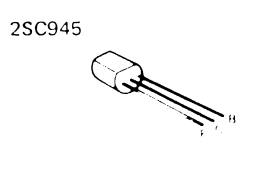
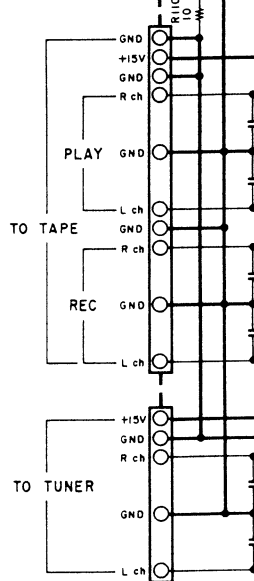
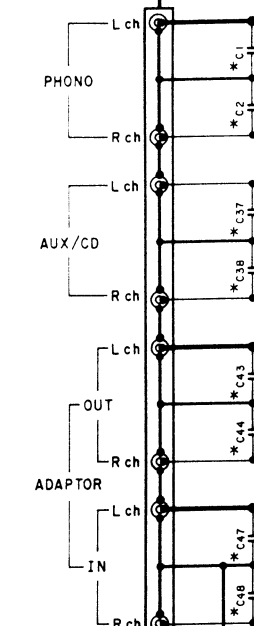
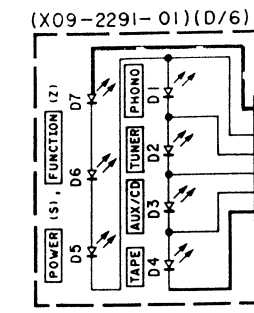
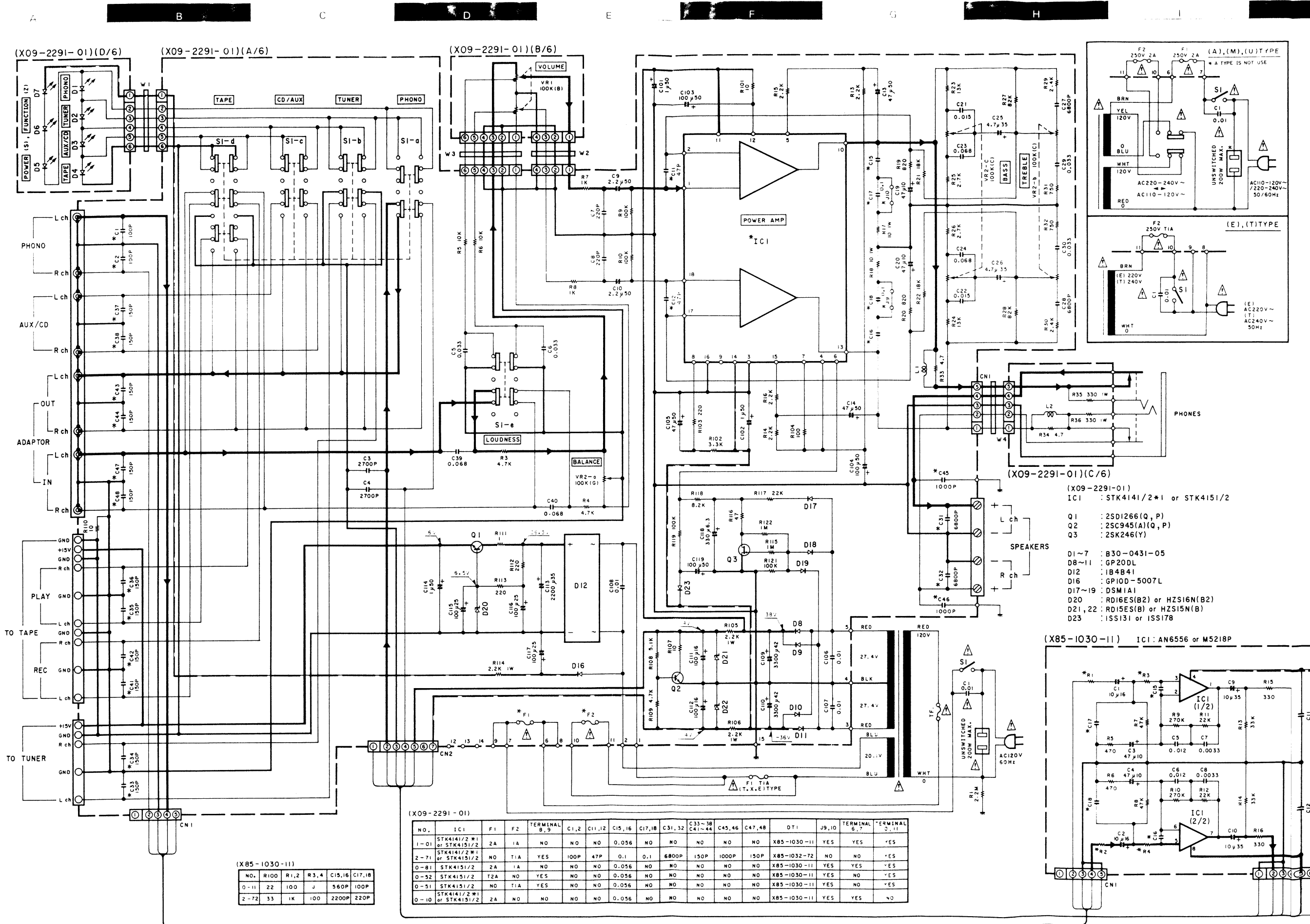
KA-35 KA-35

PC BOARD



EQ AMP (X85-1030-11)
Component side view



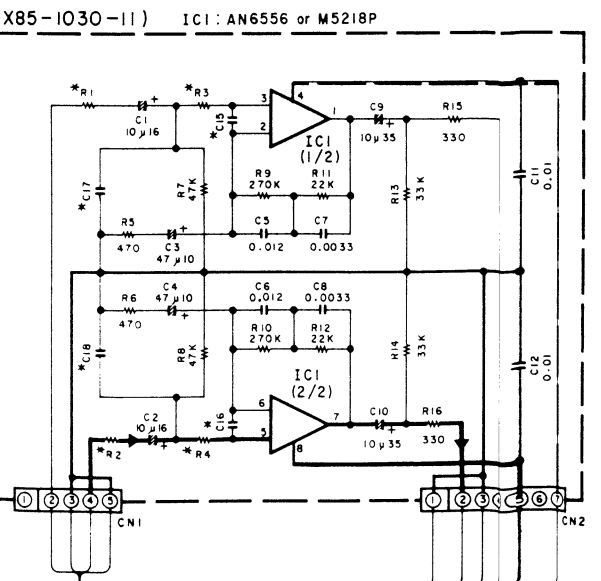


(X85-1030-11)

NO.	R100	R1,2	R3,4	C15,16	C17,18
0-11	22	100	J	560P	100P
2-72	33	1K	100	2200P	220P

(X09-2291-01)

NO.	IC1	F1	F2	TERMINAL 8,9	C1,2	C11,12	C15,16	C17,18	C31,32	C33-38 C41-44	C45,46	C47,48	DT1	J9,10	TERMINAL 5,7	TERMINAL 3,11	
1-01	STK4141/2*1 or STK4151/2	2A	1A	NO	NO	NO	0.056	NO	NO	NO	NO	NO	NO	X85-1030-11	YES	YES	YES
2-71	STK4141/2*1 or STK4151/2	NO	T1A	YES	100P	47P	0.1	0.1	6800P	150P	1000P	150P	X85-1032-72	NO	NO	YES	
0-81	STK4151/2	2A	1A	NO	NO	NO	0.056	NO	NO	NO	NO	NO	X85-1030-11	YES	YES	YES	
0-52	STK4151/2	T2A	NO	YES	NO	NO	0.056	NO	NO	NO	NO	NO	X85-1030-11	YES	NO	YES	
0-51	STK4151/2	NO	T1A	YES	NO	NO	0.056	NO	NO	NO	NO	NO	X85-1030-11	YES	NO	YES	
0-10	STK4141/2*1 or STK4151/2	2A	NO	NO	NO	NO	0.056	NO	NO	NO	NO	NO	X85-1030-11	YES	YES	NO	



2SC945

2SD1266

2SK246

AN6556
M5218P

STK4141/2*1
STK4151/2

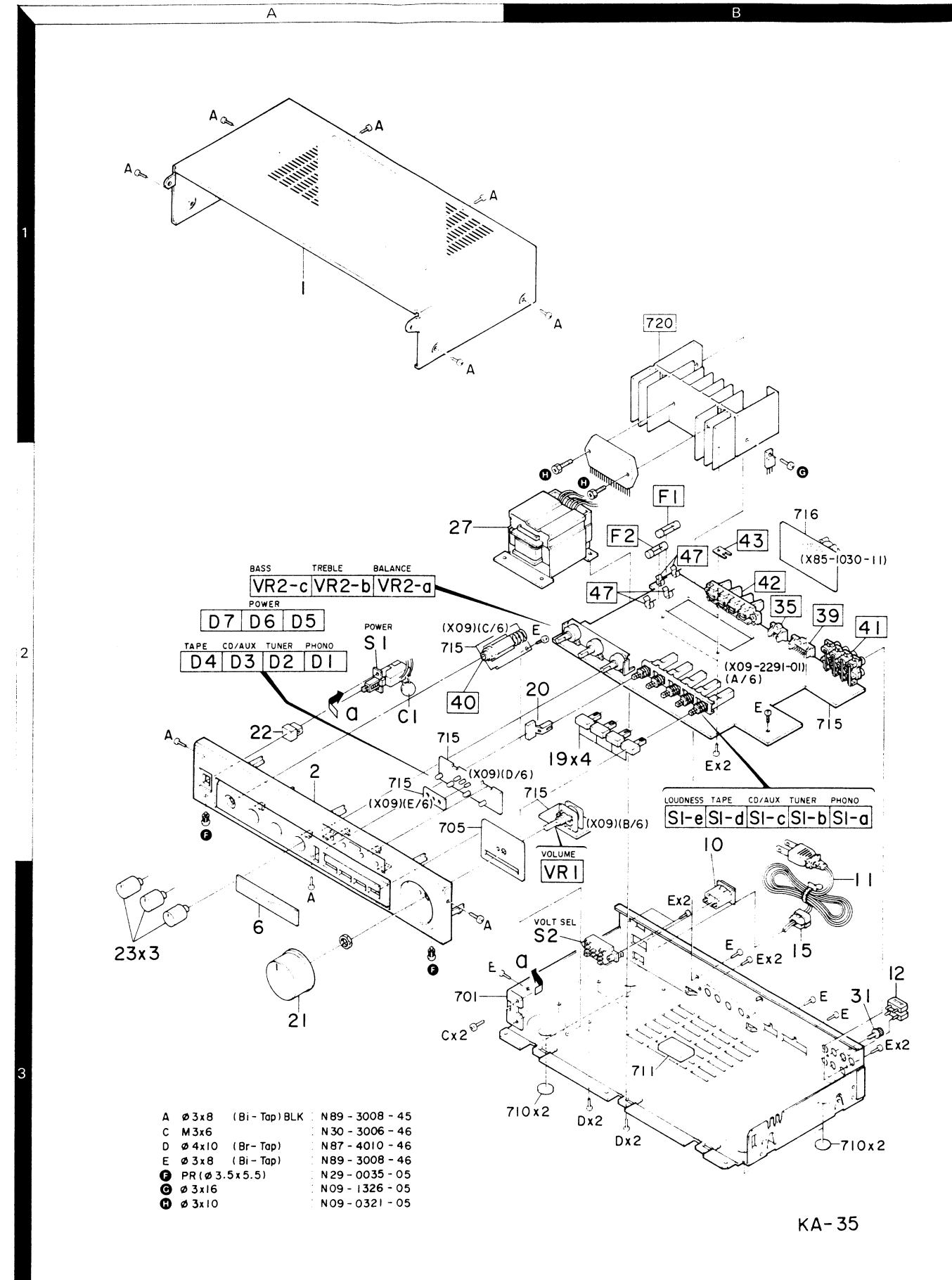
CAUTION: For continued safety, replace safety critical components only with manufacturer's recommended parts (refer to Parts list). ⚠ Indicates safety critical components. To reduce the risk of electric shock, leakage current, or resistance measurements shall be carried out (exposed parts) acceptably insulated from the supply (or not) before the appliance is returned to the customer.

KA-35 (M)

KA-35
KENWOOD

KA-35 KA-35

EXPLODED VIEW



PARTS LIST

* New Parts

Parts without Parts No. are not supplied.

Les articles non mentionnés dans le Parts No. ne sont pas fournis.

Teile ohne Parts No. werden nicht geliefert.

Ref. No.	Address	New Parts	Parts No.	Description	Destination	Remarks
参照番号	位置	新	部品番号	部品名/規格	仕向	備考
KA-35						
1	1A		A01-1392-01	METALLIC CABINET	PUM1	
1	1A		A01-1392-01	METALLIC CABINET	UEX	
1	1A		A01-1392-01	METALLIC CABINET	TE1A1	
1	1A		A01-1394-01	METALLIC CABINET	M2E2A2	
2	2A	*	A20-4886-02	PANEL ASSY	PUM1	
2	2A	*	A20-4886-02	PANEL ASSY	UEX	
2	2A	*	A20-4886-02	PANEL ASSY	E1A1	
2	2A	*	A20-4887-02	PANEL ASSY	M2E2A2	
2	2A	*	A20-4888-02	PANEL ASSY	T	
6	3A		B03-2081-04	DRESSING PLATE		
-			B46-0094-03	WARRANTY CARD	UUE	
-			B46-0095-03	WARRANTY CARD	UUE	
-			B46-0096-13	WARRANTY CARD	X	
-			B46-0121-03	WARRANTY CARD	P	
-			B46-0122-13	WARRANTY CARD	E1E2	
-			B46-0123-03	WARRANTY CARD	T	
-		*	B50-6202-00	INSTRUCTION MANUAL (ENGLISH)	PUM1A1	
-		*	B50-6202-00	INSTRUCTION MANUAL (ENGLISH)	UEXA2	
-		*	B50-6202-00	INSTRUCTION MANUAL (ENGLISH)	E1M2E2	
-		*	B50-6203-00	INSTRUCTION MANUAL (FRENCH)	PM1XA1	
-		*	B50-6203-00	INSTRUCTION MANUAL (FRENCH)	E1M2E2	
-		*	B50-6203-00	INSTRUCTION MANUAL (FRENCH)	A2	
-		*	B50-6204-00	INSTRUCTION MANUAL (SPANISH)	M1M2A1	
-		*	B50-6204-00	INSTRUCTION MANUAL (SPANISH)	A2	
-		*	B50-6205-00	INSTRUCTION MANUAL (ENGLISH)	T	
-		*	B50-6206-00	INSTRUCTION MANUAL (D.G.I.-SW)	E1E2	
-		*	B50-6207-00	INSTRUCTION MANUAL (ARABIC)	M1M2	
-		*	B50-6207-00	INSTRUCTION MANUAL (ARABIC)	A1A2	
-		*	B58-0223-04	CAUTION CARD (PRE-SET 120V)	U	
-			B58-0245-33	CAUTION CARD (FTZ)	E1E2	
-			B58-0513-04	CAUTION CARD (PRESET220-240)	UE	
-			B59-0092-00	SERVICE DIRECTORY	UUE	
Δ C1	2A		C91-0023-05	CERAMIC 0.01UF AC250V	UM1	
Δ C1	2A		C91-0023-05	CERAMIC 0.01UF AC250V	UEM2	
Δ C1	2A		C91-0647-05	CERAMIC 0.01UF P	PXTA1	
Δ C1	2A		C91-0647-05	CERAMIC 0.01UF P	E1E2A2	
Δ 10	2B		E03-0036-05	AC OUTLET	UM1	
Δ 10	2B		E03-0036-05	AC OUTLET	UEM2	
Δ 10	2B		E03-0041-05	AC OUTLET	P	
Δ 11	3B		E30-0459-05	AC POWER CORD	E1E2	
Δ 11	3B		E30-0812-05	AC POWER CORD	UM1	
Δ 11	3B		E30-0812-05	AC POWER CORD	UEM2	
Δ 11	3B		E30-0974-05	AC POWER CORD	P	
Δ 11	3B		E30-1329-05	AC POWER CORD	A1A2	
Δ 11	3B		E30-1341-05	AC POWER CORD	X	
Δ 11	3B		E30-1416-05	AC POWER CORD	T	
Δ -			E03-0047-05	AC INLET	A1A2	
Δ F1			F06-1022-05	FUSE (SEMKO) (250V T1A)	XE1E2	
-		*	H01-7182-04	ITEM CARTON CASE	PUM1	
-		*	H01-7182-04	ITEM CARTON CASE	UEX	
-		*	H01-7182-04	ITEM CARTON CASE	E1A1	

E: Scandinavia & Europe H: Audio Club K: USA P: Canada W: Europe

M2,E2,A2 : Silver Panel

A : Saudi Arabia T: England U: PX(Far East, Hawaii)

UE : AAFES(Europe) X : Australia M : Other Areas

Δ indicates safety critical components

Parts with the exploded numbers larger than 700 are not supplied.

PARTS LIST

* New Parts

Parts without Parts No. are not supplied.

Les articles non mentionnés dans le **Parts No.** ne sont pas fournis.

Teile ohne **Parts No.** werden nicht geliefert.

Ref. No. 参照番号	Address 位置	New Parts 新	Parts No. 部品番号	Description 部品名/規格	Desti- nation 仕向	Re- marks 備考
-		*	H01-7183-04	ITEM CARTON CASE	M2E2A2	
-		*	H01-7184-04	ITEM CARTON CASE	T	
-		*	H10-3315-02	POLYSTYRENE FOAMED FIXTURE		
-		*	H10-3316-02	POLYSTYRENE FOAMED FIXTURE		
-		*	H12-1136-04	CARTON BOARD		
-			H25-0223-04	PROTECTION BAG (750X350)		
-			H25-0232-04	PROTECTION BAG (235X350)		
12			J12-0094-05	PIN		
15			J42-0083-05	POWER CORD BUSHING		
-			J13-0053-05	FUSE HOLDER	XE1E2	
-			J61-0307-05	WIRE BAND		
19	2B		K27-1421-04	KNØB (BUTTON) SELECTØR		
20	2B		K27-1422-04	KNØB (BUTTON) LOUDNESS		
21	3A	*	K29-2399-04	KNØB VOLUME	PUM1	
21	3A	*	K29-2399-04	KNØB VOLUME	UEX	
21	3A	*	K29-2399-04	KNØB VOLUME	TE1A1	
21	3A	*	K29-2400-04	KNØB VOLUME	M2E2A2	
22	2A		K29-1446-04	KNØB ASSY POWER	M2E2A2	
22	2A		K29-2001-04	KNØB ASSY POWER	PUM1	
22	2A		K29-2001-04	KNØB ASSY POWER	UEX	
22	2A		K29-2001-04	KNØB ASSY POWER	TE1A1	
23	3A		K29-2026-04	KNØB TONE, BALANCE	PUM1	
23	3A		K29-2026-04	KNØB TONE, BALANCE	UEX	
23	3A		K29-2026-04	KNØB TONE, BALANCE	TE1A1	
23	3A		K29-2081-04	KNØB TONE, BALANCE	M2E2A2	
Δ 27	2A		L01-6601-05	POWER TRANSFORMER	P	
Δ 27	2A		L01-6605-05	POWER TRANSFORMER	UM1A1	
Δ 27	2A		L01-6605-05	POWER TRANSFORMER	UEM2A2	
Δ 27	2A		L01-6607-05	POWER TRANSFORMER	E1E2	
Δ 27	2A		L01-6608-05	POWER TRANSFORMER	XT	
31	3B		N08-0128-35	BINDING POST (GND)		
F	2A, 3A		N29-0035-05	PUSH RIVET (3.5X5.5)	XTE1	
F	2A, 3A		N29-0035-05	PUSH RIVET (3.5X5.5)	E2	
F	2A, 3A		N29-0088-05	PUSH RIVET (3X6.3)		
R1			R92-0173-05	RC 2.2M M 1/2W	P	
Δ S1	2A		S40-1066-05	PUSH SWITCH (POWER)		
Δ S2	3B		S31-2083-05	SLIDE SWITCH (VOLTAGE SELECT)	UM1A1	
Δ S2	3B		S31-2083-05	SLIDE SWITCH (VOLTAGE SELECT)	UEM2A2	
AUDIO (X09-2291-01)						
D1 -7	2A		B30-0431-05	LED(LN21CPH)		
C1 .2			CC45FSL1H101J	CERAMIC 100PF J	E1E2	
C3 .4			CF92FV1H272J	MF 2700PF J		
C5 .6			CF92FV1H333J	MF 0.033UF J		
C7 .8			CC45FSL1H221J	CERAMIC 220PF J		
C9 .10			CE04KW1H2R2M	ELECTRØ 2.2UF 50WV		
C11 .12			CC45FSL1H470J	CERAMIC 47PF J	E1E2	
C13 .14			CE04KW1H470M	ELECTRØ 47UF 50WV		
C15 -18			CF92FV1H104J	MF 0.10UF J	E1E2	
C15 .16			CF92FV1H563J	MF 0.056UF J	PUM1	
C15 .16			CF92FV1H563J	MF 0.056UF J	UEX	
C15 .16			CF92FV1H563J	MF 0.056UF J	TM2	
C19 .20			CE04KW1A470M	ELECTRØ 47UF 10WV		

E: Scandinavia & Europe H: Audio Club K: USA P: Canada W: Europe

A: Saudi Arabia T: England U: PX(Far East, Hawaii)

UE: AAFES(Europe) X: Australia M: Other Areas

Δ indicates safety critical components

M2,E2,A2: Silver Panel

PARTS LIST

* New Parts

Parts without Parts No. are not supplied.

Les articles non mentionnés dans le **Parts No.** ne sont pas fournis.

Teile ohne **Parts No.** werden nicht geliefert.

Ref. No. 参照番号	Address 位置	New Parts 新	Parts No. 部品番号	Description 部品名/規格	Desti- nation 仕向	Re- marks 備考
C21 .22			CF92FV1H153J	MF 0.015UF J		
C23 .24			CF92FV1H683J	MF 0.068UF J		
C25 .26			CE04KW1V4R7M	ELECTRØ 4.7UF 35WV		
C27 .28			CF92FV1H682J	MF 6800PF J		
C29 .30			CF92FV1H333J	MF 0.033UF J		
C31 .32			CK45FB1H682K	CERAMIC 6800PF K	E1E2	
C33 -38			CC45FSL1H151J	CERAMIC 150PF J	E1E2	
C39 .40			CF92FV1H683J	MF 0.068UF J		
C41 -44			CC45FSL1H151J	CERAMIC 150PF J	E1E2	
C45 .46			CK45B1H102K	CERAMIC 1000PF K	E1E2	
C47 .48			CC45FSL1H151J	CERAMIC 150PF J	E1E2	
C101 .102			CE04KW1H010M	ELECTRØ 1.0UF 50WV		
C103 .104			CE04KW1H101M	ELECTRØ 100UF 50WV		
C105			CE04KW1H470M	ELECTRØ 47UF 50WV		
C106-108			CK45FE2H103P	CERAMIC 0.010UF P		
C109 .110		*	C90-1232-05	ELECTRØ 3300UF 42WV		
C111 .112			CE04KW1C101M	ELECTRØ 100UF 16WV		
C113			CE04KW1V222M	ELECTRØ 2200UF 35WV		
C114			CE04KW1H010M	ELECTRØ 1.0UF 50WV		
C115-117			CE04KW1E101M	ELECTRØ 100UF 25WV		
C118			CE04KW0J331M	ELECTRØ 330UF 6.3WV		
C119			CE04KW1H101M	ELECTRØ 100UF 50WV		
35	2B		E08-0503-05	RECTANGULAR RECEPTACLE(TUNER)		
39	2B		E08-1004-05	RECTANGULAR RECEPTACLE(TAPE)		
40	2A		E11-0153-05	PHONE JACK (3P) PHONES		
41	2B		E13-0814-05	PHONE JACK (8P) PHONE, TAPE		
42	2B		E20-0455-05	SCREW TERMINAL BOARD(4P)		
43	2B		E23-0125-05	TERMINAL (GND)		
Δ F1	2B		F05-2023-05	FUSE (250V 2A)	UM1A1	
Δ F1	2B		F05-2023-05	FUSE (250V 2A)	UEM2A2	
Δ F1	2B		F06-2027-05	FUSE (UL) (250V 2A)	P	
Δ F2	2B		F05-1023-05	FUSE (250V 1A)	UM1A1	
Δ F2	2B		F05-1023-05	FUSE (250V 1A)	UEM2A2	
Δ F2	2B		F05-1024-05	FUSE (UL) (250V 1A)	P	
Δ F2	2B		F06-1022-05	FUSE (SEMØ) (250V T1A)	XTE1	
Δ F2	2B		F06-1022-05	FUSE (SEMØ) (250V T1A)	E2	
47	2B		J13-0041-05	FUSE CLIP	PUM1A1	
47	2B		J13-0041-05	FUSE CLIP	UEM2A2	
47	2B		J13-0054-05	FUSE CLIP	XTE1	
47	2B		J13-0054-05	FUSE CLIP	E2	
L1 .2			L39-0085-05	PHASE-COMPENSATION COIL		
G	2B		N09-1236-05	TAPPING SCREW (3X16)		
H	2B		N09-0321-05	TAPPING SCREW (3X10)		
R13 -16			RD14AB2E222J	FL-PROOF RD 2.2K J 1/4W		
R17 .18			RS14DB3A100J	FL-PROOF RS 10 J 1W		
R33 .34			RD14AB2E4R7J	FL-PROOF RD 4.7 J 1/4W		
R35 .36			RS14DB3A331J	FL-PROOF RS 330 J 1W		
R101			RD14AB2E100J	FL-PROOF RD 10 J 1/4W		
R102			RD14AB2E332J	FL-PROOF RD 3.3K J 1/4W		
R103			RD14AB2E221J	FL-PROOF RD 220 J 1/4W		
R104			RD14AB2E101J	FL-PROOF RD 100 J 1/4W		
R105 .106			RS14DB3A222J	FL-PROOF RS 2.2K J 1W		

E: Scandinavia & Europe H: Audio Club K: USA P: Canada W: Europe

A: Saudi Arabia T: England U: PX(Far East, Hawaii)

UE: AAFES(Europe) X: Australia M: Other Areas

Δ indicates safety critical components

M2,E2,A2: Silver Panel

PARTS LIST

* New Parts
 Parts without Parts No. are not supplied.
 Les articles non mentionnes dans le Parts No. ne sont pas fournis.
 Teile ohne Parts No. werden nicht geliefert.

Ref. No. 参照番号	Address 位置	New Parts 新	Parts No. 部品番号	Description 部品名/規格	Desti- nation 仕向	Re- marks 備考
R107 R111 R112,113 R114 R116			RD14AB2E100J RD14AB2E1R0J RD14AB2E221J RS14DB3A222J RD14AB2E470J	FL-PROOF RD 10 J 1/4W FL-PROOF RD 1.0 J 1/4W FL-PROOF RD 220 J 1/4W FL-PROOF RS 2.2K J 1W FL-PROOF RD 47 J 1/4W		
VR1 VR2	3B 2A		RO6-5067-05 R29-9011-05	POTENTIOMETER (100KX2) VOLUME POTENTIOMETER (TONE, BALANCE)		
S1	2B	*	S42-5046-05	MULTIPLE PUSH SWITCH (SELECT)		
D8 -11 D12 D16 D17 -19 D20			GP20DL 1B4B41 GP10D-5007L DSM1A1 HZS16N(B2)	DIODE DIODE DIODE DIODE ZENER DIODE		
D20 D21 ,22 D21 ,22 D23 D23		*	RD16ES(B2) HZS15N(B) RD15ES(B) 1SS131 1SS178	ZENER DIODE ZENER DIODE ZENER DIODE DIODE DIODE		
IC1 IC1 Q1 Q2 Q3			STK4141/2*1 STK4151/2 2SD1266(Q,P) 2SC945(A)(Q,P) 2SK246(Y)	IC(AF POWER AMP/ 25W X2) IC(AF POWER AMP/ 30W X2) TRANSISTOR TRANSISTOR FET	PE1E2	
EQ AMP (X85-1030-11)						
C1 ,2 C3 ,4 C5 C6 C7			CE04FW1C100M CE04FW1A470M CF92FV1H123J CF92FV1H123J CF92FV1H332J	ELECTRO 10UF 16WV ELECTRO 47UF 10WV MF 0.012UF J MF 0.012UF J MF 3300PF J		
C8 C9 ,10 C11 ,12 C15 ,16 C15 ,16			CF92FV1H332J CE04KW1V100M CK45FF1H103Z CK45FB1H222K CK45FB1H561K	MF 3300PF J ELECTRO 10UF 35WV CERAMIC 0.010UF Z CERAMIC 2200PF K CERAMIC 560PF K	E1E2 PUM1A1	
C15 ,16 C15 ,16 C17 ,18 C17 ,18 C17 ,18			CK45FB1H561K CK45FB1H561K CC45FSL1H101J CC45FSL1H101J CC45FSL1H101J	CERAMIC 560PF K CERAMIC 560PF K CERAMIC 100PF J CERAMIC 100PF J CERAMIC 100PF J	UEXA2 TM2 PUM1A1 UEXA2 TM2	
C17 ,18			CC45FSL1H221J	CERAMIC 220PF J	E1E2	
IC1 IC1			AN6556 M5218P	IC(OP AMP X2) IC(OP AMP X2)		

E: Scandinavia & Europe H: Audio Club K: USA P: Canada W: Europe M2, E2, A2: Silver Panel
 A: Saudi Arabia T: England U: PX(Far East, Hawaii)
 UE: AAFES(Europe) X: Australia M: Other Areas
 ▲ indicates safety critical components.

SPECIFICATIONS

Audio Section

Power Output
30 watts* per channel minimum RMS, both channels driven, at 8 ohms from 40 Hz to 20,000 Hz with no more than 0.9% total harmonic distortion.

Maximum Continuous (IEC) . . . 30 W + 30 W 60 Hz to 12,500 Hz at 0.7% T.H.D. 8 ohms (U.K. and Europe model)
Both Channels Driven 30 W + 30 W 8 ohms at 1,000 Hz (Except USA, U.K. and Europe)
Music Power 70 W + 70 W 8 ohms (Except USA, U.K., Canada and Europe)

Total Harmonic Distortion
AUX input to Speaker output
(40 Hz to 20,000 Hz) 0.9% at rated power into 8 ohms
(40 Hz to 20,000 Hz) 0.2% at rated power into 8 ohms
(1,000 Hz) 0.07% at 1/2 rated power into 8 ohms

Phono input to Speaker
Output (1,000 Hz) 0.07% at rated power with Volume -20 dB

Intermodulation Distortion
(60 Hz : 7,000 Hz = 4 : 1) . . . 0.2% at rated power into 8 ohms

Damping Factor 40 (1,000 Hz into 8 ohms)

Power Bandwidth 10 Hz to 70,000 Hz at 1% T.H.D. 8 ohms

Frequency Response 20 Hz to 100,000 Hz +1 dB, -3 dB

Signal-to-Noise Ratio (IHF, A)
Phono MM 73 dB for 2.5 mV input
 79 dB for 5.0 mV input
Tuner, Tape, AUX 97 dB

Signal-to-Noise Ratio (DIN)
Phono MM 55 dB/50 mW (U.K. and Europe models)
Tuner, Tape, AUX 55 dB/50 mW (U.K. and Europe models)

Phono Maximum Input Level . . . 140 mV (RMS), T.H.D. 0.9% at 1,000 Hz

Note :
 Component and circuitry are subject to modification to insure best operation under differing local conditions. This manual is based on the Canada (P) standard, and provides information on regional circuit modification through use of alternate schematic diagrams, and information on regional component variations through use of parts list.

Output Level/Impedance
Tape REC (Pin) 150 mV/330 ohms
Adaptor Out 150 mV/330 ohms
Phono Frequency Response RIAA standard curve ±0.5 dB (30 Hz to 20,000 Hz)
Tone Control
Bass ±9 dB at 100 Hz
Treble ±9 dB at 10,000 Hz
Loudness Control +9 dB at 100 Hz (at -30 dB Volume Level)

Channel Separation (DIN)
Phono 60 dB 2,200 ohms at 1,000 Hz
AUX 55 dB 47,000 ohms +250 pF at 1,000 Hz

General
power Requirements 120 V, 60 Hz (USA and Canada models), 220 V, 50 Hz (Europe model), 240 V, 50 Hz (U.K. and Australia models) or 110-120 V/220-240 V 50/60 Hz, switchable (Other countries)

Power Consumption 1.5 A (USA and Canada models) 100 W (Other countries)

AC Outlet Unswitched 1 (200 W) (Except U.K., Australia and Europe)

Dimensions W 420 mm (16-17/32")
 H 89 mm (3-1/2")
 D 242 mm (9-1/2")

Weight
Net 4.0 kg (8.8 lb)
Gross 4.6 kg (10.3 lb)

* Measured pursuant to Federal Trade Commission's Trade Regulation rule on Power Output Claims for Amplifier in USA.

Note : We follow a policy of continuous advancements in developments. For this reason specifications may be changed without notice.

KENWOOD CORPORATION
 Shionogi Shibuya Building, 17-5, 2-chome Shibuya, Shibuya-ku, Tokyo 150, Japan

KENWOOD ELECTRONICS
 1315 E. Watsoncenter Rd, Carson, California 90745,
 75 Seaview Drive, Secaucus, New Jersey 07094, U.S.A.

KENWOOD ELECTRONICS CANADA INC.
 P.O. Box 1075 959 Gana Court, Mississauga, Ontario, Canada L4T 4C2

KENWOOD ELECTRONICS BENELUX N.V.
 Mechelsesteenweg 418 B-1930 Zaventem, Belgium

KENWOOD ELECTRONICS DEUTSCHLAND GMBH
 Rembrücker-Str. 15, 6056 Heusenstamm, West Germany

TRIO-KENWOOD FRANCE S.A.
 13, Boulevard Ney, 75018 Paris, France

TRIO-KENWOOD U.K. LTD.
 17 Bristol Road, The Metropolitan Centre, Greenford, Middx. UB6 8UP England

KENWOOD ELECTRONICS AUSTRALIA PTY LTD.
 4E Woodcock Place, Lane Cove, N.S.W. 2066, Australia

KENWOOD & LEE ELECTRONICS, LTD.
 Wang Kee Building, 5th Floor, 34-37, Connaught Road, Central, Hong Kong